

LupitPole HEIGHT CALCULATOR

LUPIT POLE (CLASSIC & DIAMOND) HEIGHT CALCULATOR

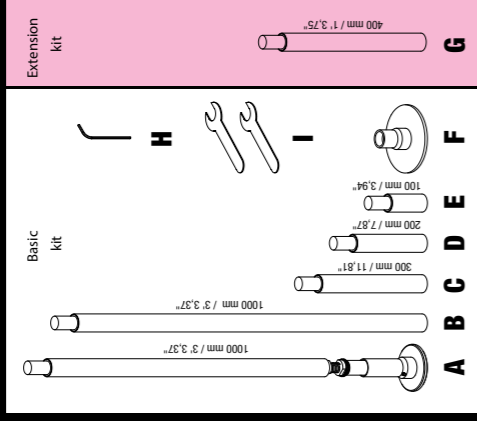
BASIC KIT		ceiling height				
from 2100 mm to 2200 mm	from 2200 mm to 2300 mm	from 2300 mm to 2400 mm	from 2400 mm to 2500 mm	from 2500 mm to 2600 mm	from 2600 mm to 2700 mm	from 2700 mm to 2800 mm
from 6' 10,63" to 7' 2,61"	from 7' 2,61" to 7' 6,55"	from 7' 6,55" to 7' 10,49"	from 7' 10,49" to 8' 2,43"	from 8' 2,43" to 8' 6,38"	from 8' 6,38" to 8' 10,30"	from 8' 10,30" to 9' 2,24"
A+B+F	A+B+E +F	A+B+D +F	A+B+C +F	A+B+C+ E+F	A+B+C +D+F	A+B+C +D+E+F

LUPIT POLE (CLASSIC & DIAMOND) HEIGHT CALCULATOR

EXTENSION		ceiling height				
from 2800 mm to 2900 mm	from 2900 mm to 3000 mm	from 3000 mm to 3100 mm	from 3100 mm to 3200 mm	from 3200 mm to 3300 mm	from 3300 mm to 3400 mm	from 3400 mm to 3500 mm
from 9' 2,24" to 9' 6,17"	from 9' 6,17" to 9' 10,11"	from 9' 10,11" to 10' 2,05"	from 10' 2,05" to 10' 5,99"	from 10' 5,99" to 10' 9,93"	from 10' 9,93" to 10' 13,87"	from 10' 13,87" to 10' 17,81"
A+B+G+C+F	A+B+G+C+E+F	A+B+G+C+D+F	A+B+G+C+D+E+F	A+B+G+C+D+E+F	A+B+G+C+D+E+F	A+B+G+C+D+E+F

Optional extension 1 x extra 400mm / 1' 3,75" extensions for up to 3200 mm / 10' 5,98"

PACKAGE AND CONTENTS



LUPIT POLE (CLASSIC & DIAMOND) comes in single package: Packing soft foam dumpers and carton cover. Diameter of the poles is 42 mm.

Contents:

- A** - Base pole (1000mm / 3' 3,37") with lower-disc bearing, distance-regulating system and spin-block system.
- B** - 1x 1000mm / 3' 3,37" main pole with integrated joints.
- C** - 1x 300mm / 1,81" pole extension with integrated joints.
- D** - 1x 200mm / 7,87" pole extension with integrated joints.
- E** - 1x 100mm / 3,94" pole extension with integrated joints.
- F** - Upper-disc assembly with bearings.
- G** - 1x 400mm / 1' 3,75" pole extension with integrated joints. (optional - not included in a standard package)
- H** - Allen spin-Block HEX key.
- I** - 2x special key tool used for height adjustment, securing the nut and un-tightening the pole extension joints, if necessary.
- J** - User's manual and assembling instructions.

LupitPole

INSTRUCTIONS

SPIN YOUR SOUL

FOR USE

LUPIT POLE CLASSIC & DIAMOND

WELCOME TO THE LUPIT POLE FAMILY

1. DESCRIPTION

Dance pole LUPIT POLE is to be used for exercise, dance and fitness. It is used as utility and support for pole dancing and performing different dancing elements and fitness.

The pole is made of INOX / high-polished stainless steel to enhance a good grip.

Other parts are made of steel with either a chrome or powder coat finish.

LUPIT POLE has been designed for quick installation without drilling.

2. WARNINGS

You (the purchaser) are solely responsible for proper installation and use of the pole.

The person who installs the pole is solely responsible for any damage to walls, ceiling, floor and other furniture that could occur during installation and use.

Use of the pole is not recommended to pregnant women and people with spine injuries.

Before installing please check:

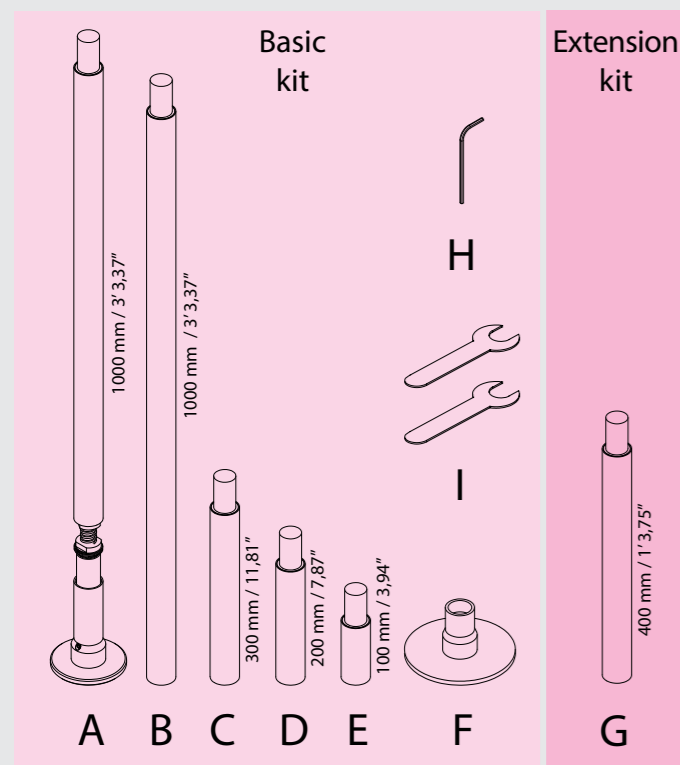
- The floor is dry and level.
- The ceiling is level.
- It is not recommended to install the pole against a plasterboard ceiling unless it is very strong and extra reinforced.
- The upper disk must not cover or interfere with any air vent, electrical junction box, and alarm or fire alarm devices.
- The height of the ceiling must be greater than 200 cm and less than 320 cm.

3. PACKAGE AND CONTENTS

LUPIT POLE comes in a single package: foam packing peanuts and cardboard box. The pole diameter is 42 mm.

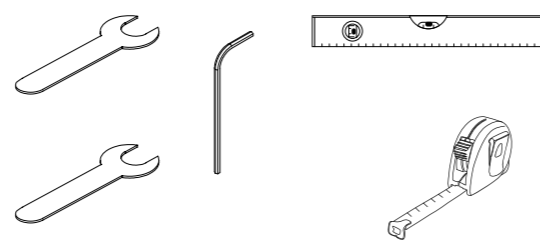
Contents:

- A Base pole (1000 mm / 3'3,37") with lower disc bearing, distance regulating system and spin-block system
- B 1x 1000 mm / 3'3,37" main pole with integrated joints
- C 1x 300 mm / 11,81" pole extension with integrated joints
- D 1x 200 mm / 7,87" pole extension with integrated joints
- E 1x 100 mm / 3,94" pole extension with integrated joints
- F Upper disc assembly with bearings
- G 1x 400 mm / 1'3,75" - Base pole (1000mm / 3'3,37") with lower-disc bearing, distance-regulating system and spin-block system. (optional – not included in the standard package)
- H Hex key
- I 2x special wrench keys used for adjusting the height, securing the nut and loosening the pole extension joints if necessary
- J Instruction manual

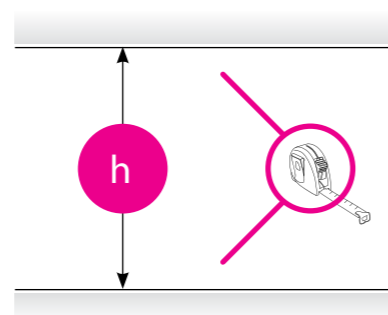


4. INSTRUCTIONS FOR ASSEMBLY AND USE

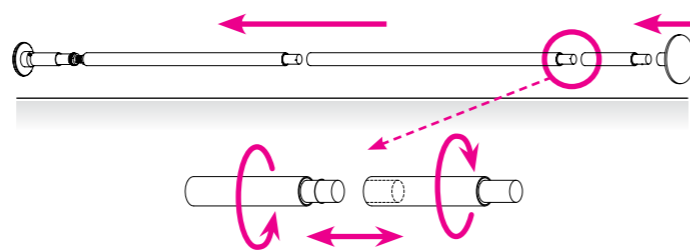
4.1 - PREPARE YOUR TOOLS.



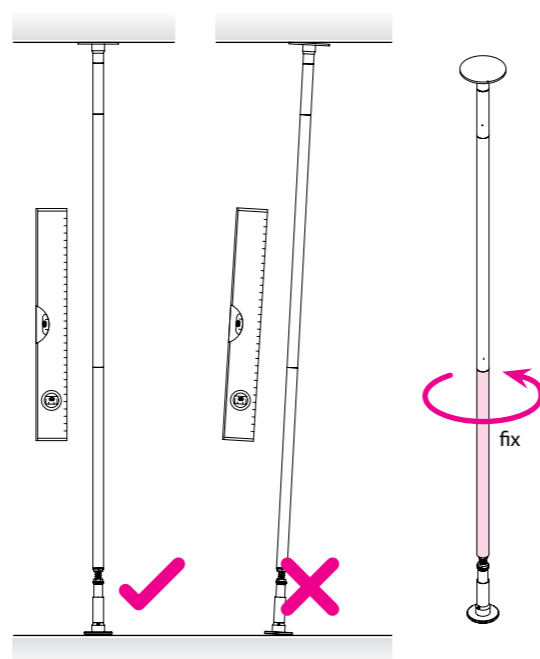
4.2 - MEASURE THE HEIGHT OF THE CEILING.



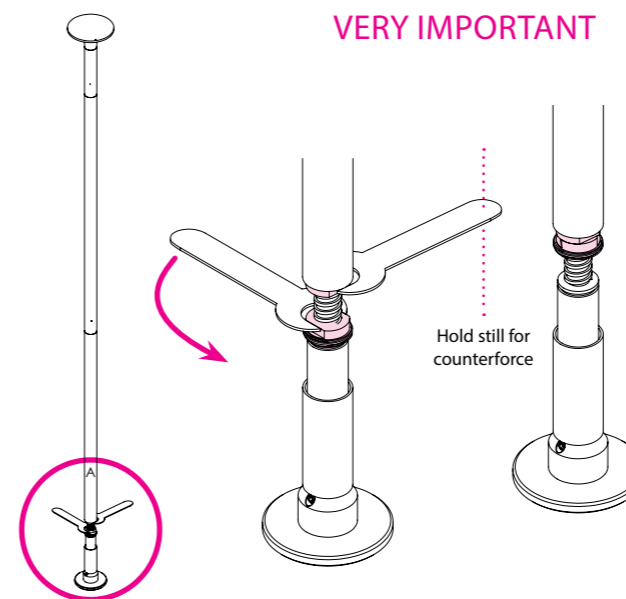
4.3 - ACCORDING TO THE HEIGHT CHART ASSEMBLE ALL NECESSARY PARTS ON THE FLOOR AND LIFT THE POLE INTO VERTICAL POSITION.



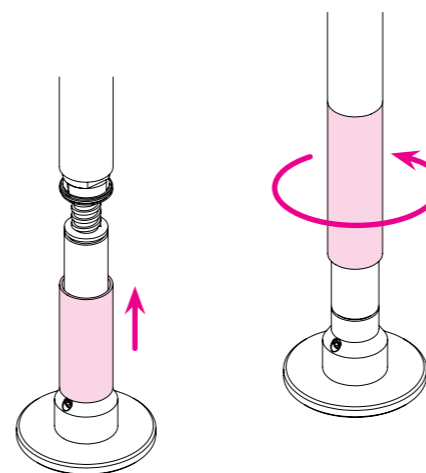
4.4 - LEVEL AND FIX THE POLE.



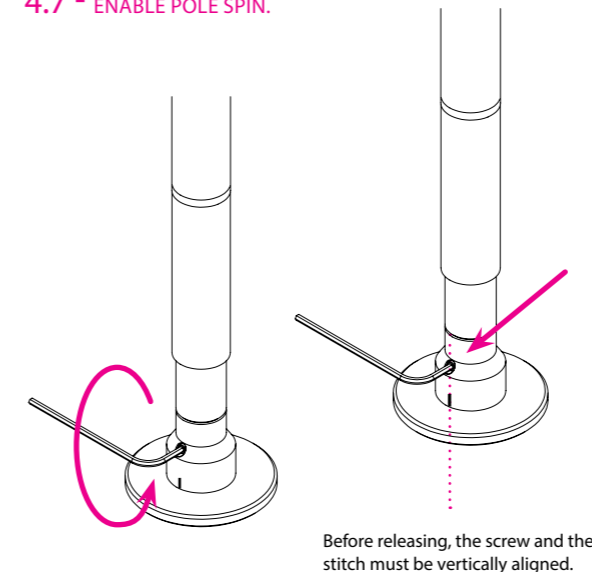
4.5 - TIGHTEN THE POLE FIRMLY IN POSITION.



4.6 - ADJUST THE MASK BY HAND.



4.7 - ENABLE POLE SPIN.



CLEANING & MAINTENANCE:

Cleaning:

- The pole is made of polished stainless steel. Clean your pole with soft cotton or microfiber cloth and pure water or a non-abrasive glass cleaner.

Maintenance:

- It is recommended to replace the spin-block Hexscrew (M6x20mm) after every 12 months of daily use.
- In case of frequent installations at different locations, please check the condition of rubber covers on both discs and clean them prior to each installation to ensure proper friction with the floor and ceiling.
- It is necessary to clean the lower bearing and bearing bed after every 3 months of daily use. Use a dry cloth to polish the bearing, and if necessary, lubricate it with a drop of machine oil or some grease.

Disassembling the pole:

- To take down your pole, follow the installation procedure in reverse order. When loosening the pole height adjuster, be sure to securely hold the pole to prevent it from falling over.

5. MANUFACTURER AND WARRANTY

WARRANTY

Semi-Professional Use:

Lupit pole warranty covers the original purchaser if the product is in semi-professional use:

- For 1 year against possible defects of the pole, bearings, discs and workmanship.

This warranty applies only if the product is in semi-professional use, for example in fitness centres or pole dancing schools. The recommended operating time is a maximum of 12 hours per day.

Home Fitness Use:

Lupit pole warranty covers the original purchaser if the product is in home use:

- For 18 months against possible defects in material and workmanship.

Warranty Terms:

- The warranty period starts from the date of purchase (keep your purchase receipt in a safe place).
- The warranty extends to the original purchaser only.
- The claim under warranty is limited to rectification.
- All claims under warranty are limited to the fulfilment of the actual loss incurred.
- The damage claim is limited to the amount paid for the product.
- Guarantees, e.g. the delivery of replacement parts, do not extend the warranty period.
- The warranty for the product shall be void if the fitness equipment or its components have been tampered with by a person (or persons) not authorized by Lupit Pole team.
- The instructions on assembly, safety, use and maintenance from the instruction manual need to be followed.
- In case of failure, malfunction or damage in transit, please provide a precise description of the fault.
- In case of an eligible claim under warranty, please contact the specialist dealer at your point of purchase.
- The provision of warranty service is limited to the country where your fitness equipment has been purchased.

THE FOLLOWING ARE EXCLUDED FROM THE WARRANTY:

- Rubber cover parts,
- Damage caused by misuse of the product,
- Damage caused by product modifications without the consent of Lupit Pole d.o.o.,
- Defects caused by abuse,
- Defects caused by insufficient maintenance,
- Third-party fault (assembly error, misuse, false assembly/position),
- Defects caused by improper storage outside the house, e.g. in a garage.

In case of a warranty claim:

- To avoid subsequent damage, please report the damage in transit, warranty claims and other problems to your specialist dealer immediately after discovery.
- The purchase receipt and the indication of your correct serial number are a precondition to any warranty action.

MANUFACTURER:

Lupit Pole d.o.o.
Cvetkova 25, 1000 Ljubljana, Slovenija, EU

Contact: info@lupitpole.com • www.lupitpole.com